

**ROBOPAC**  
SISTEMI

**AETNAGROUP**

ROBOPAC  
SISTEMI

**GENESIS**



*another ROBOPAC Sistemi innovative packaging solution from*

**AETNAGROUP**  
USA



# GENESIS FULLY AUTOMATIC ROTATING RING SYSTEM

## RING ROTATION SYSTEM

GENESIS generates power internally with a worldwide patented system, eliminating brush contacts on the rotating ring, requiring no maintenance and ensuring maximum efficiency, very high performance and reliability.

The ring rotation system uses a belt drive supported by high resistance bearings.

Soft start and stop is controlled by an AC Frequency drive & motor ensuring maximum reliability.

Speed rotation:

- 40 rpm. for standard machine
- 50 rpm. for high speed (HS) model

## TOP PLATEN SYSTEM

Optional pantograph Top Platen to hold down unstable pallet loads during the wrapping cycle. The top platen is also used to hold the top sheet (optional) in place when wrapping, it comes with a special air blow system ensuring that all corners of the top sheet are properly down before securing.

## RING VERTICAL MOVEMENT

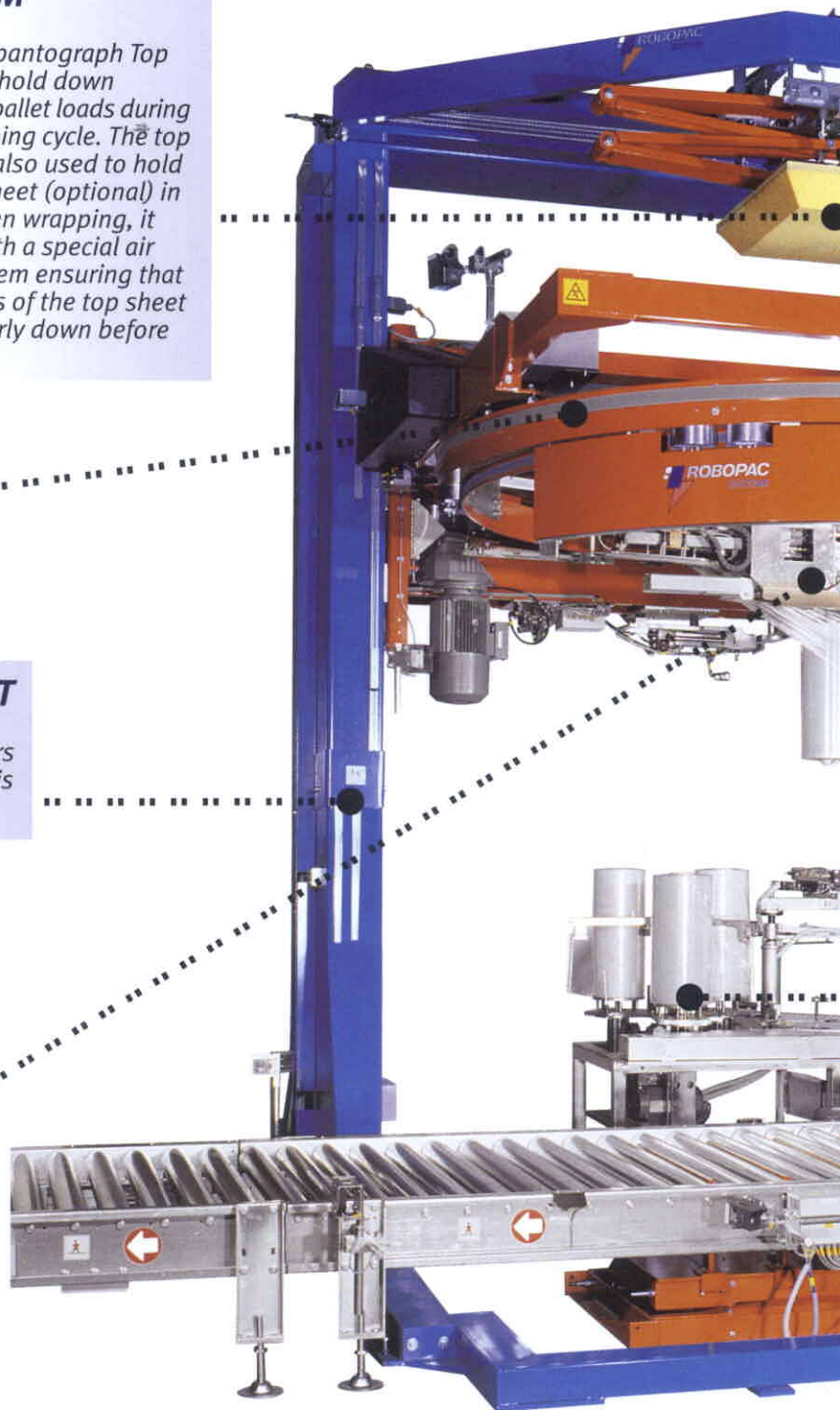
The Ring System is raised by two motors and two heavy duty chains. The speed is controlled by an AC frequency drive.

## PATENTED AUTOMATIC FILM CLAMP SYSTEM FOR CUTTING AND SEALING THE FILM



Clamp system for cutting and welding the stretch film, patented by Robopac Sistemi, ensures high resistance welds at the end of the wrapping cycle.

Ask your sales representative for more details.



IS THE MARKET LEADER IN THE FIELD OF FULLY AUTOMATIC MACHINES FOR WRAPPING AND STABILIZING PALLETIZED LOADS WITH STRETCH FILM.

IN ADDITION TO THE FULLY AUTOMATIC ROTATING RING GENESIS MODEL, PARTICULARLY SUITABLE FOR VERY HIGH OUTPUT CAPACITY REQUIREMENTS, ROBOPAC SISTEMI ALSO OFFERS A VERY LARGE VARIETY OF PACKAGING SOLUTIONS WITH SPECIFIC MACHINES DESIGNED AND TAILORED TO FULLY COVER ANY CUSTOMER NEED IN TERMS OF PRODUCTION CAPACITY AND PERFORMANCE WITH THE FOLLOWING TYPES OF STRETCH WRAPPERS:



Fully automatic rotating arm machine



# STRETCH WRAPPING MACHINE

## HIGH PRODUCTION / IN-CYCLE TOP SHEET DISPENSER

*This optional device is built within the wrapping station of the machine. The top sheet film roll is located above the rotating ring ensuring greater production capacity since the wrapping cycle is not interrupted during the top sheet sequence like conventional equipment.*

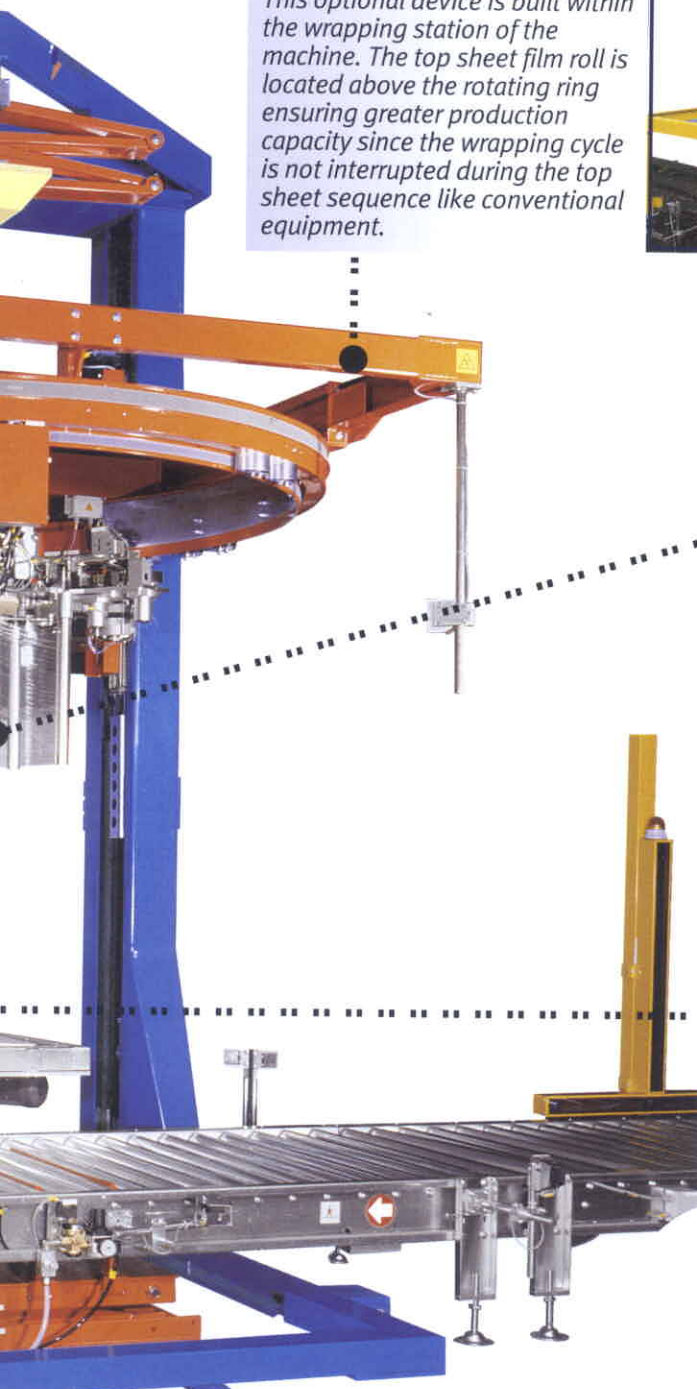


## ASCSP / PATENTED POWERED STRETCH FILM DELIVERY SYSTEM

*This carriage is the most advanced technology available in the market today due to its exceptional ability to optimize film performance, allowing for consistent film savings and maximum load unitizing capability.*

*This system precisely controls the film tightness and ensures equal tension all around the pallet load corners.*

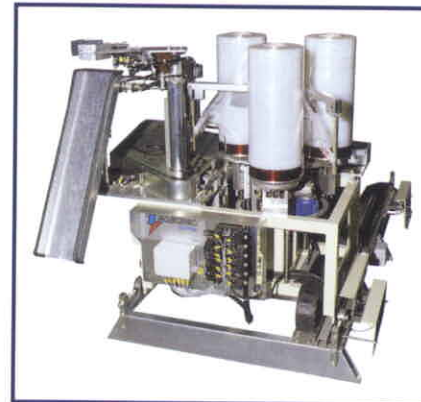
*The GENESIS generates power internally with a patented system, eliminating brush contacts on the rotating ring, requiring no maintenance, and ensuring maximum safety and performance.*



## PATENTED AUTOMATIC FILM ROLL CHANGE SYSTEM ARC/3

*Another Innovation, this optional device is constructed with a rotating carousel providing three additional rolls of film. This system saves time and improves safety by automatically reloading the film with no operator intervention.*

*In addition the operator can safely re-load the carousel with new rolls of film without stopping the wrapping equipment, uptime is the priority!!! Very easy to maintain and to understand, this system shows you the dedication ROBOPAC SISTEMI has in providing continuous innovations to increase performance and reliability.*



**Fully automatic turntable machine**

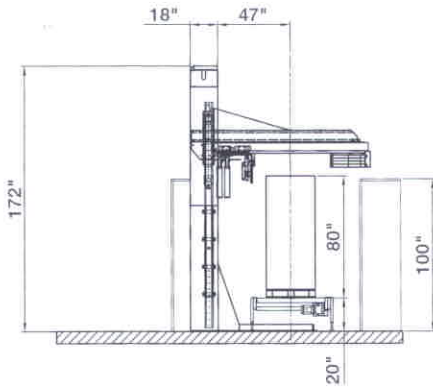
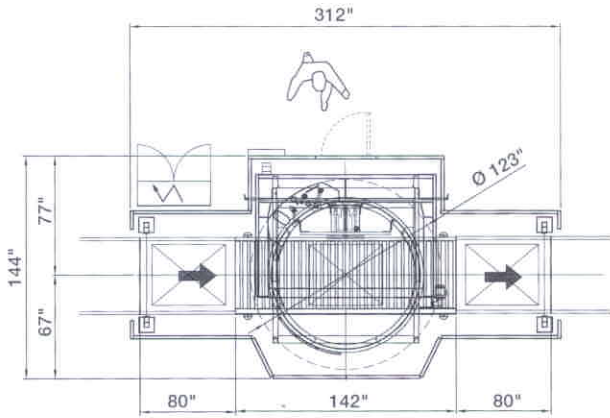


**Fully automatic large diameter horizontal stretch wrappers**

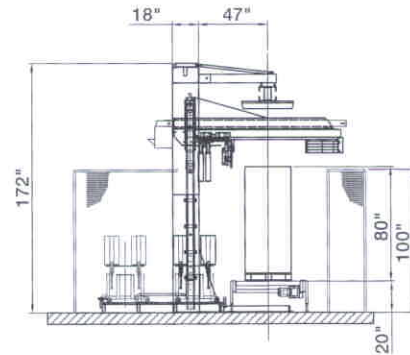
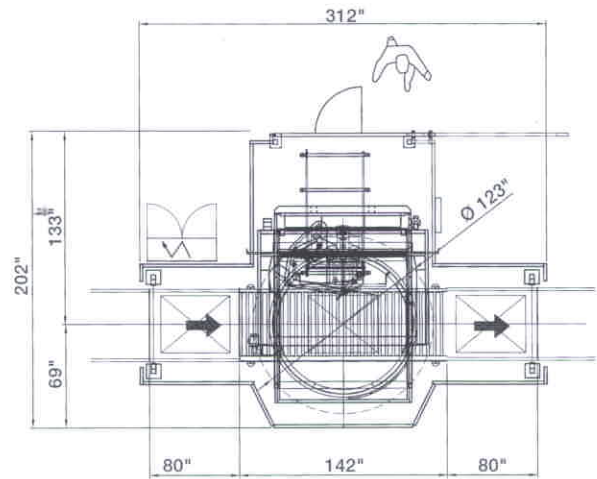


**Fully automatic vertical band film applicator**

**STANDARD  
MACHINE**



**MACHINE WITH TOP SHEET DISPENSER  
AND AUTOMATIC FILM ROLL CHANGE ARC/3**



Consult factory for additional available options, to meet your specific wrapping needs.

Technical specifications may vary without prior notice

**MACHINE TECHNICAL SPECIFICATIONS**

Total net weight	7000 lbs
Conveyor standard pass height	20"
Rotation Speed	Variable up to 40 RPM
Rotation Speed on the HS model	Variable up to 50 RPM
Power requirement	480 V/ 60 Hz (3 phases)
Amperage requirement	15 amps
Electrical protection	IP 54, (equivalent to NEMA 12)
Pneumatic requirement	3 CFM @ 80 psi

**LOAD SPECIFICATIONS**

Maximum load size (WxL)	48"x48"
Minimum load size (WxL)	24"x32"

**AUTOMATIC FILM ROLL CHANGE ARC/3  
TECHNICAL SPECIFICATIONS**

Roll film change average speed	40 / 60 sec.
Number of rolls film stored	3 (ID 3" - OD 10")
Pneumatic requirement	0.70 CFM @ 80 psi
Amperage requirement	2 Amp
Total net weight	1.500 lbs.

**ROBOPAC Sistemi is a leading manufacturer of fully automatic pallet stretch wrappers, conveying systems for pallet loads and large horizontal stretch wrappers.**

Call AETNA GROUP toll-free for complete details.



2475B Satellite Blvd. • Duluth • GA 30096-5808 • USA

Phone: (678) 473-7896 • Toll Free: (866) 713-7286 • Fax: (678) 473-1025 • www.aetnagroup.com • E-mail: aetnagroup@aetnagroupusa.com